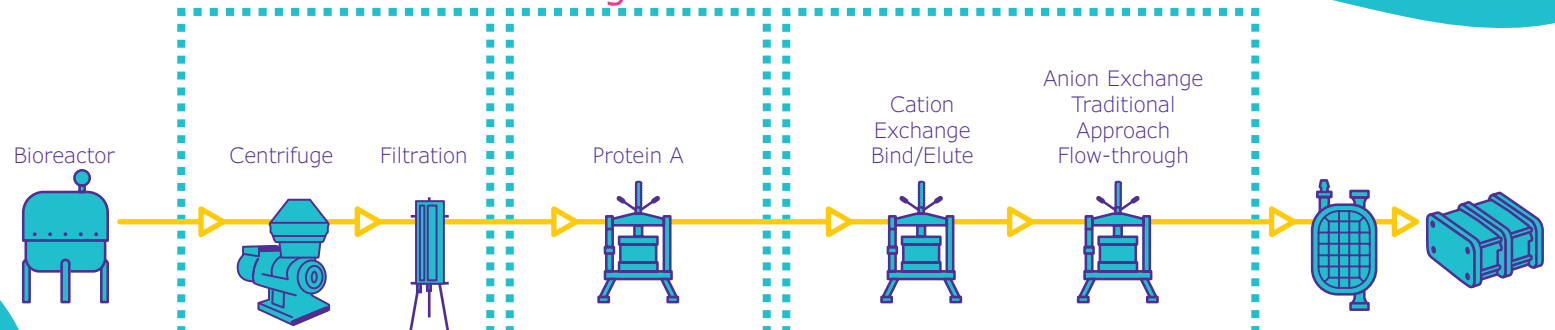


# HORIZON 2020

## Optimizing Biopharmaceutical Downstream Processing

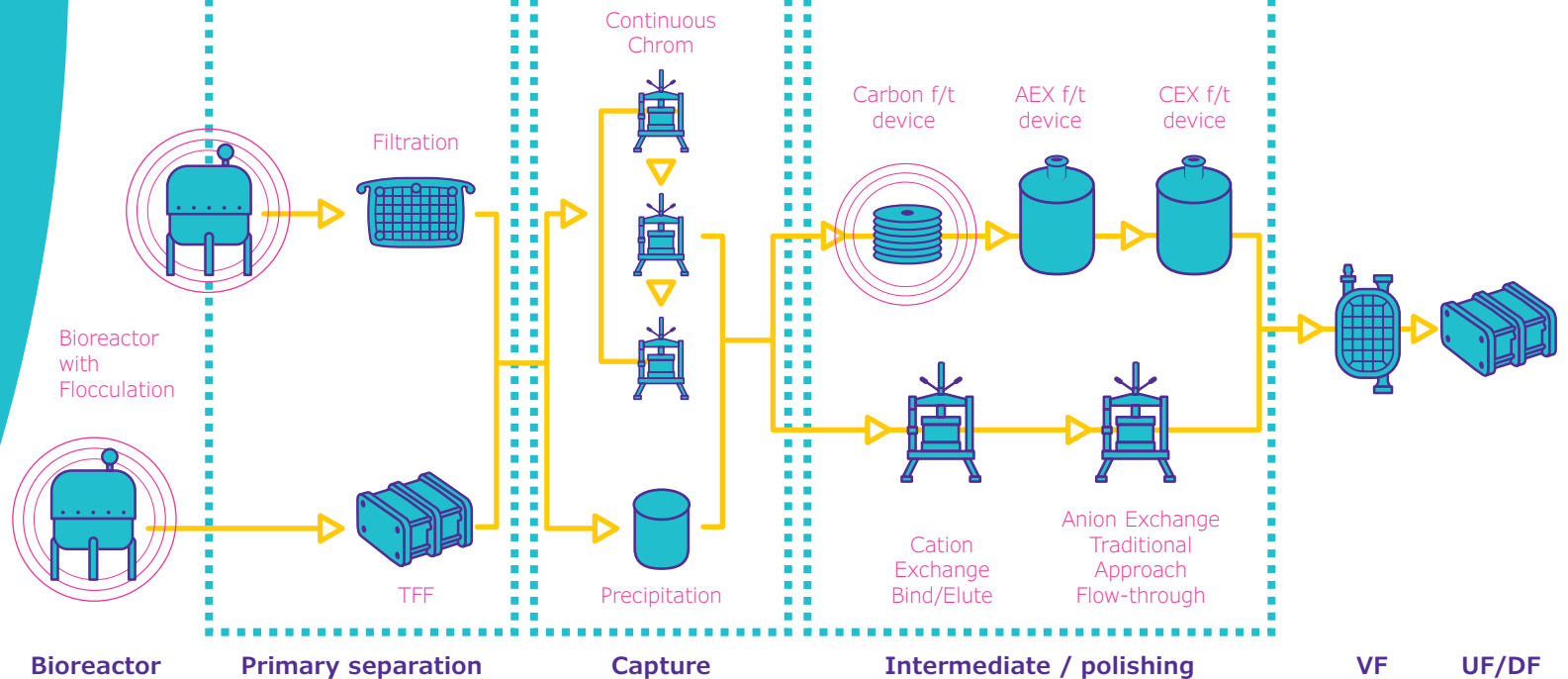
### Traditional Approach



### Evaluating Options for an Optimized Process

Different approaches for primary separation, capture and intermediate/polishing steps will be evaluated for the ability to reduce the size and number of downstream unit operations and eliminate centrifugation.

Alternatives to batch processing for the capture step, such as continuous chromatography, will be evaluated to improve efficiency and reduce the need for expensive resins. Precipitation will also be evaluated as an approach to replace protein A chromatography as capture step.



This project has received funding from the European Union's Horizon 2020 research and innovation program under grant agreement No 635557.